

SPEC. No. ED-04P157
ISSUE January 18, 2005
REVERSE

SHARP

OPTO-ELECTRONIC DEVICES DIVISION
ELECTRONIC COMPONENTS GROUP
SHARP CORPORATION

SPECIFICATION

DEVICE SPECIFICATION FOR
PHOTOCOUPLER
MODEL No. PC3H3

Business dealing name

| | |
|--|---------------|
| | PC3H3J00000F |
| | PC3H3AJ00000F |
| | PC3H3BJ00000F |

Specified for _____

Enclosed please find copies of the Specifications which consists of 13 pages including cover.
This specification sheets and attached sheets shall be both side copy.
After confirmation of the contents, please be sure to send back copies of the Specifications
with approving signature on each.

CUSTOMER'S APPROVAL

DATE _____

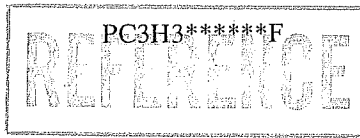
BY _____

PRESENTED

DATE _____

BY H. Imanaka

H. Imanaka,
Department General Manager of
Engineering Dept, II
Opto-Electronic Devices Div.
ELECOM Group
SHARP CORPORATION



Product name : PHOTOCOUPLER

Model No. : PC3H3

Business dealing name

| |
|--------------|
| PC3H3J00000F |
| PC3H3AJ0000F |
| PC3H3BJ0000F |

1. These specification sheets include materials protected under copyright of Sharp Corporation ("Sharp"). Please do not reproduce or cause anyone to reproduce them without Sharp's consent.
2. When using this product, please observe the absolute maximum ratings and the instructions for use outlined in these specification sheets, as well as the precautions mentioned below. Sharp assumes no responsibility for any damage resulting from use of the product which does not comply with the absolute maximum ratings and the instructions included in these specification sheets, and the precautions mentioned below.

(Precautions)

- (1) This product is designed for use in the following application areas ;

(· OA equipment Audio visual equipment · Home appliances)
(· Telecommunication equipment (Terminal) · Measuring equipment)
(· Tooling machines · Computers)

If the use of the product in the above application areas is for equipment listed in paragraphs (2) or (3), please be sure to observe the precautions given in those respective paragraphs.

- (2) Appropriate measures, such as fail-safe design and redundant design considering the safety design of the overall system and equipment, should be taken to ensure reliability and safety when this product is used for equipment which demands high reliability and safety in function and precision, such as ;

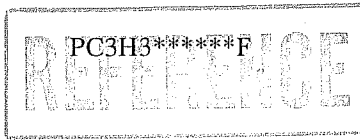
(· Transportation control and safety equipment (aircraft, train, automobile etc.))
(· Traffic signals · Gas leakage sensor breakers · Rescue and security equipment)
(· Other safety equipment)

- (3) Please do not use this product for equipment which require extremely high reliability and safety in function and precision, such as ;

(· Space equipment · Telecommunication equipment (for trunk lines))
(· Nuclear power control equipment · Medical equipment)

- (4) Please contact and consult with a Sharp sales representative if there are any questions regarding interpretation of the above three paragraphs.

3. Please contact and consult with a Sharp sales representative for any questions about this product.



1. Application

This specification applies to the outline and characteristics of photocoupler; Model No. PC3H3 (Lead free type).

2. Outline

Refer to the attached sheet, page 3.

3. Ratings and characteristics

Refer to the attached sheet, page 4 to 6.

4. Reliability

Refer to the attached sheet, page 7.

5. Outgoing inspection

Refer to the attached sheet, page 8.

6. Supplement

6.1 Isolation voltage shall be measured in the following method.

- (1) Short between anode and cathode on the primary side and between collector and emitter on the secondary side.
- (2) The dielectric withstanding tester with zero-cross circuit shall be used.
- (3) The wave form of applied voltage shall be a sine wave.

6.2 Packaging specifications Refer to the attached sheet, page 9, 10.

6.3 Collector current (Ic) Delivery rank table ("O" mark indicates business dealing name of ordered product)

| Ordered product | Business dealing name | Rank mark | Ic (mA) |
|-----------------|-----------------------|-----------------|------------|
| | PC3H3J00000F | with or without | 0.2 to 4.0 |
| | PC3H3AJ0000F | A | 0.5 to 1.5 |
| | PC3H3BJ0000F | B | 1.0 to 2.5 |

| Test conditions |
|--|
| $I_F = \pm 1 \text{ mA}$ $V_{CE} = 5 \text{ V}$ $T_a = 25^\circ \text{ C}$ |

6.4 This Model is approved by UL.

Approved Model No. : PC3H3

UL file No. : E64380

6.5 This product is not designed against irradiation.

This product is assembled with electrical input and output.

This product incorporates non-coherent light emitting diode.

6.6 ODS materials

This product shall not contain the following materials.

Also, the following materials shall not be used in the production process for this product.

Materials for ODS : CFC_s, Halon, Carbon tetrachloride, 1.1.1-Trichloroethane (Methyl chloroform)

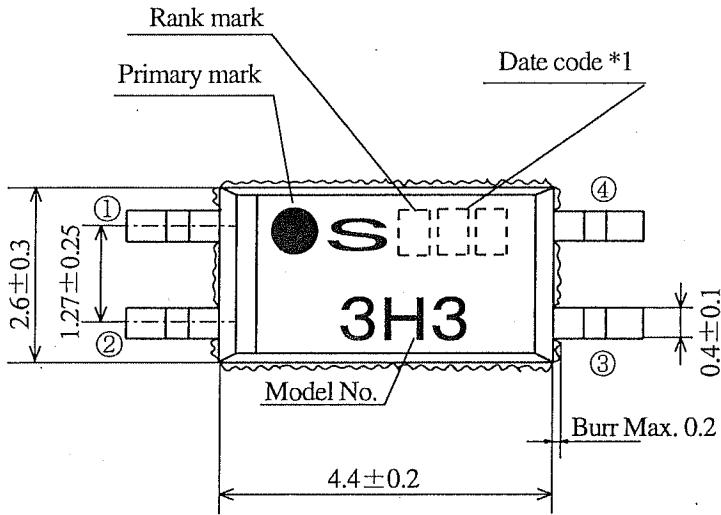
6.7 Brominated flame retardants

Specific brominated flame retardants such as the PBBO_s and PBB_s are not used in this device at all.

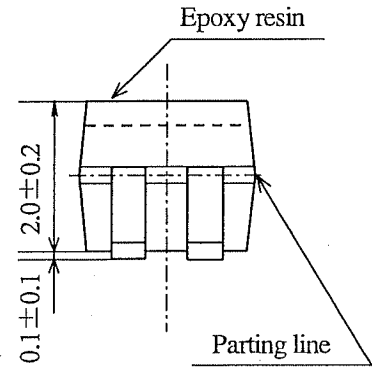
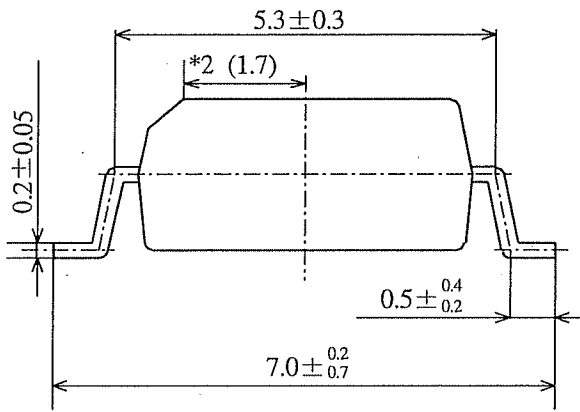
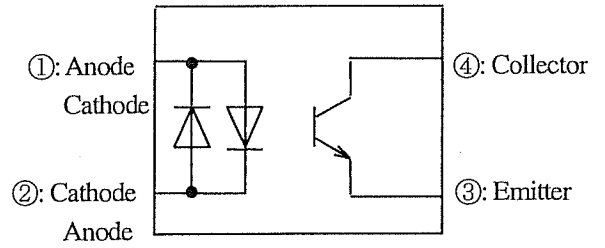
7. Notes

Precautions for Photocouplers : Attachment-1

2. Outline



Pin-Number and internal connection diagram



*1) 2-digit number shall be marked according to OLD DIN standard.

*2) Dimensions in parenthesis are shown for reference.

Pin material : 42 Alloy

Pin finish : SnCu plating (Cu : TYP. 2%)

Product mass : Approx. 0.05g

Marking is laser marking

UNIT : 1/1 mm

| | |
|------|---|
| Name | PC3H3 Outline Dimensions (Business dealing name : PC3H3*****F) |
|------|---|

3. Ratings and characteristics

3.1 Absolute maximum ratings

Ta=25°C

| Parameter | | Symbol | Rating | Unit |
|----------------------------|--------------------------------|----------------------|-------------|------|
| Input | *1 Forward current | I _F | ±50 | mA |
| | *2 Peak forward current | I _{FM} | ± 1 | A |
| | *1 Power dissipation | P | 70 | mW |
| Output | Collector-emitter voltage | V _{CEO} | 80 | V |
| | Emitter-collector voltage | V _{ECO} | 6 | V |
| | Collector current | I _c | 50 | mA |
| | *1 Collector power dissipation | P _c | 150 | mW |
| *1 Total power dissipation | P _{tot} | 170 | mW | |
| Operating temperature | | T _{opr} | -30 to +100 | °C |
| Storage temperature | | T _{stg} | -40 to +125 | °C |
| *3 | Isolation voltage | V _{iso(ms)} | 2.5 | kV |
| *4 | Soldering temperature | T _{sol} | 260 | °C |

*1 The derating factors of absolute maximum ratings due to ambient temperature are shown in Fig. 1 to 4.

*2 Pulse width ≤ 100 μs, Duty ratio : 0.001 (Refer to Fig. 5)

*3 AC for 1 min, 40 to 60%RH, f=60Hz

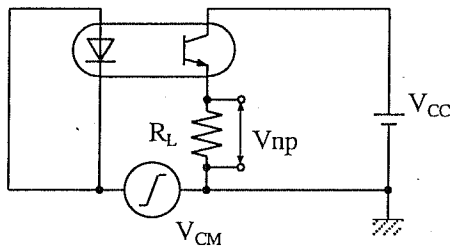
*4 For 10 s

3.2 Electro-optical characteristics

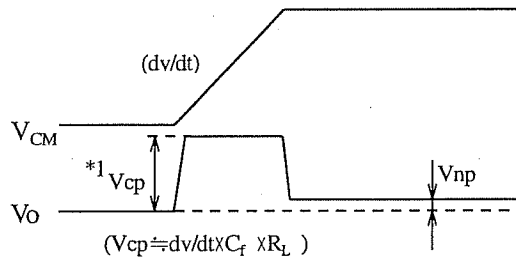
Ta=25°C

| Parameter | | Symbol | Conditions | MIN. | TYP. | MAX. | Unit |
|--------------------------------|--------------------------------------|--|--|--------------------|-----------|-------------------------|---------------|
| Input | Forward voltage | V_F | $I_F = \pm 20\text{mA}$ | - | 1.2 | 1.4 | V |
| | Terminal capacitance | C_t | $V=0, f=1\text{kHz}$ | - | 30 | 250 | pF |
| Output | Dark current | I_{CEO} | $V_{CE}=50\text{V}, I_F=0$ | - | - | 100 | nA |
| | Collector-emitter breakdown voltage | BV_{CEO} | $I_c=0.1\text{mA}, I_F=0$ | 80 | - | - | V |
| | Emitter-collector breakdown voltage | BV_{ECO} | $I_E=10\ \mu\text{A}, I_F=0$ | 6 | - | - | V |
| Transfer characteristics | Collector current | I_c | $I_F = \pm 1\text{mA}, V_{CE}=5\text{V}$ | 0.2 | - | 4 | mA |
| | Collector-emitter saturation voltage | $V_{CE(sat)}$ | $I_F = \pm 20\text{mA}, I_c=1\text{mA}$ | - | 0.1 | 0.2 | V |
| | Isolation resistance | R_{ISO} | DC500V, 40 to 60%RH | 5×10^{10} | 10^{11} | - | Ω |
| | Floating capacitance | C_f | $V=0, f=1\text{MHz}$ | - | 0.6 | 1.0 | pF |
| | Response time (Rise) | t_r | $V_{CE}=2\text{V}, I_c=2\text{mA}$ | - | 4 | 18 | μs |
| | Response time (Fall) | t_f | $R_L=100\ \Omega$ | - | 3 | 18 | μs |
| Common mode rejection ratio *5 | CMR | Ta=25°C, $R_L=470\ \Omega$ $V_{CM}=1.5\text{kV (peak)}$, $I_F=0, V_{CC}=9\text{V}$, $V_{np}=100\text{mV}$ | 10 | - | - | $\text{kV}/\mu\text{s}$ | |

*5 Measuring circuit

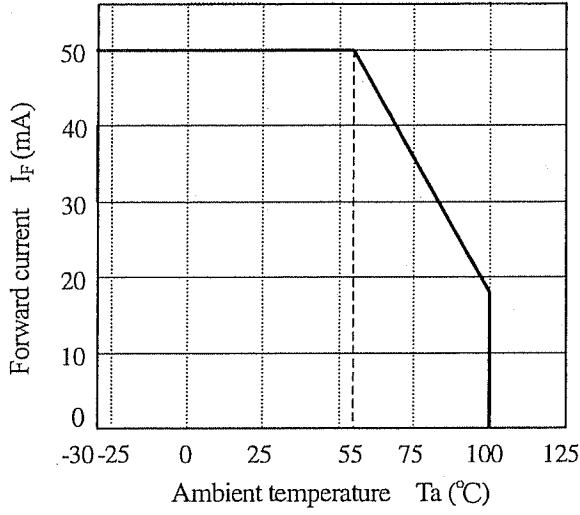


V_{CM} : Higher value of pulse wave
 $R_L = 470\ \Omega$
 $V_{CC} = 9\text{V}$

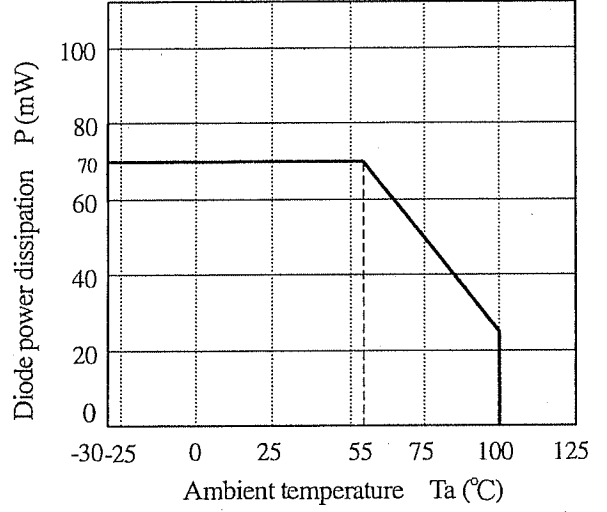


*1 The voltage generated by a displacement current which flow through floating capacity between primary and secondary side

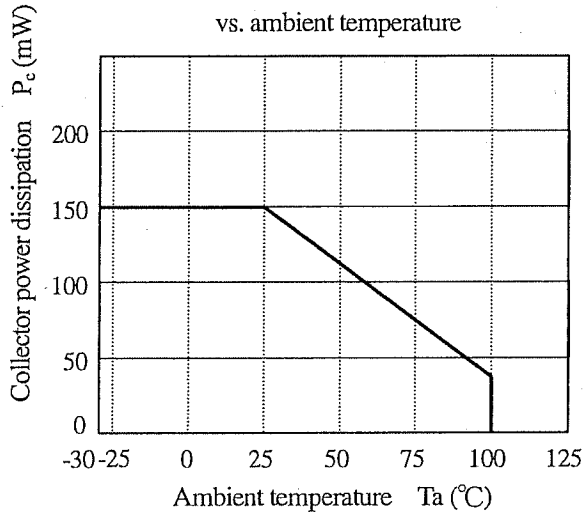
(Fig. 1) Forward current vs. ambient temperature



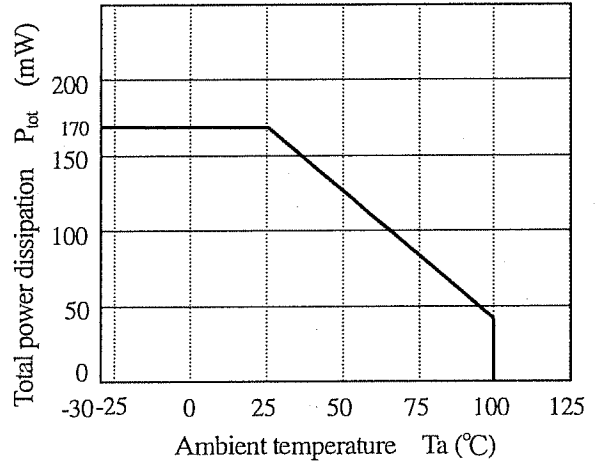
(Fig. 2) Diode power dissipation vs. ambient temperature



(Fig. 3) Collector power dissipation vs. ambient temperature

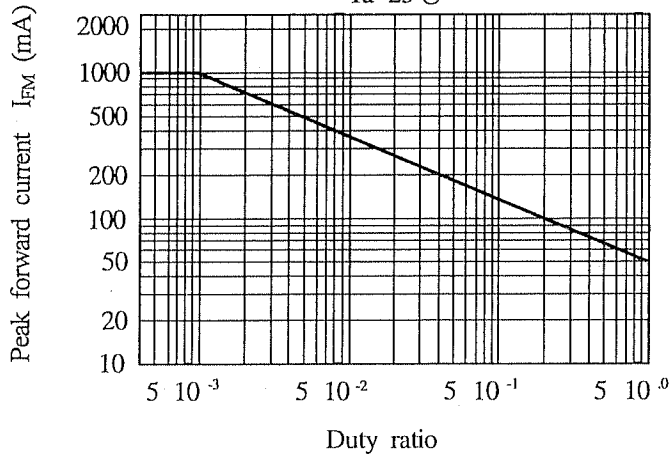


(Fig. 4) Total power dissipation vs. ambient temperature



(Fig. 5) Peak forward current vs. duty ratio

Pulse width $\leq 100 \mu s$
 $T_a = 25^\circ C$



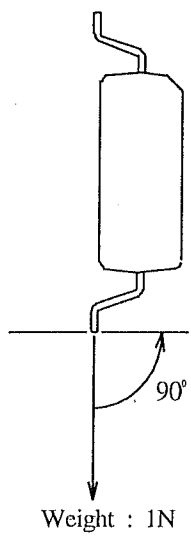
4. Reliability

The reliability of products shall satisfy items listed below.

Confidence level : 90%
 LTPD : 10or 20

| Test Items | Test Conditions *1 | Failure Judgment Criteria | Samples (n) |
|---|---|--|--------------|
| | | | Defective(C) |
| Solderability *2 | 245 ± 3°C, 5 s | ————— | n=11, C=0 |
| Soldering heat *3 | (Flow soldering) 260°C, 10 s | $V_F > U \times 1.2$ $I_{CEO} > U \times 2$ $I_C < L \times 0.7$ $V_{CE(sat)} > U \times 1.2$ U : Upper specification limit L : Lower specification limit | n=11, C=0 |
| | (Soldering by hand) 400°C, 3 s | | n=11, C=0 |
| Terminal strength (Bending) *4 | Weight : 1N 1 time/each terminal | | n=11, C=0 |
| Mechanical shock | 15km/s ² , 0.5ms 3 times/±X, ±Y, ±Z direction | | n=11, C=0 |
| Variable frequency vibration | 100 to 2000 to 100Hz/4min 200m/s ² 4 times/ X, Y, Z direction | | n=11, C=0 |
| Temperature cycling | 1 cycle -40°C to +125°C (30min) (30min) 20 cycles test | | n=22, C=0 |
| High temp. and high humidity storage *5 | +85°C, 85%RH, 500h | | n=22, C=0 |
| High temp. storage | +125°C, 1000h | | n=22, C=0 |
| Low temp. storage | -40°C, 1000h | | n=22, C=0 |
| Operation life | I _F = ± 50mA, P _{tot} =170mW T _a =25°C, 1000h | | n=22, C=0 |

- *1 Test method, conforms to EIAJ ED 4701.
- *2 Solder shall adhere at the area of 95% or more of immersed portion of lead, and pin hole or other holes shall not be concentrated on one portion.
- *3 It is evaluated due to the temperature profile in attachment-1.
- *4 Terminal bending direction is shown below.
- *5 It is evaluated after washing by specified solvent in attachment-1.



5. Outgoing inspection

5.1 Inspection items

- (1) Electrical characteristics
 $V_F, I_{CEO}, V_{CE(sat)}, I_C, R_{ISO}, V_{iso}$
- (2) Appearance

5.2 Sampling method and Inspection level

A single sampling plan, normal inspection level II based on ISO 2859 is applied.
 The AQL according to the inspection items are shown below.

| Defect | Inspection item | AQL (%) |
|--------------|--|---------|
| Major defect | Electrical characteristics Unreadable marking | 0.065 |
| Minor defect | Appearance defect except the above mentioned. | 0.25 |

6.2 Package specifications

6.2.1 Taping conditions

- (1) Tape structure and Dimensions (Refer to the attached sheet, Page 9)
 The carrier tape has the heat pressed structure of PS material carries tape and three layers cover tape (PET material base).
- (2) Reel structure and Dimensions (Refer to the attached sheet, Page 10)
 The taping reel shall be of plastic (PS material).
- (3) Direction of product insertion (Refer to the attached sheet, Page 10)
- (4) Joint of tape The cover tape and carrier tape in one reel shall be joint less.
- (5) To repair failure - taped devices, cutting a bottom of carrier tape with a cutter.
 After replacing the cut portion shall be sealed with adhesive tape.

6.2.2 Adhesiveness of cover tape

- The exfoliation force between carrier tape and cover tape shall be 0.2N to 0.7N for the angle 160° to 180° .

6.2.3 Rolling method and quantity

- Wind the tape back on the reel so that the cover tape will be outside the tape.
 Attach more than 20cm of blank tape to the trailer and the leader of the tape and fix the both ends with adhesive tape. One reel basically shall contain 3000pcs.

6.2.4 Outer packing appearance (Refer to the attached sheet, page 10)

6.2.5 Marking

- The label with following information shall be pasted at appointed place of the outer packing case.
 * Model No. * Number of pieces delivered * Production date

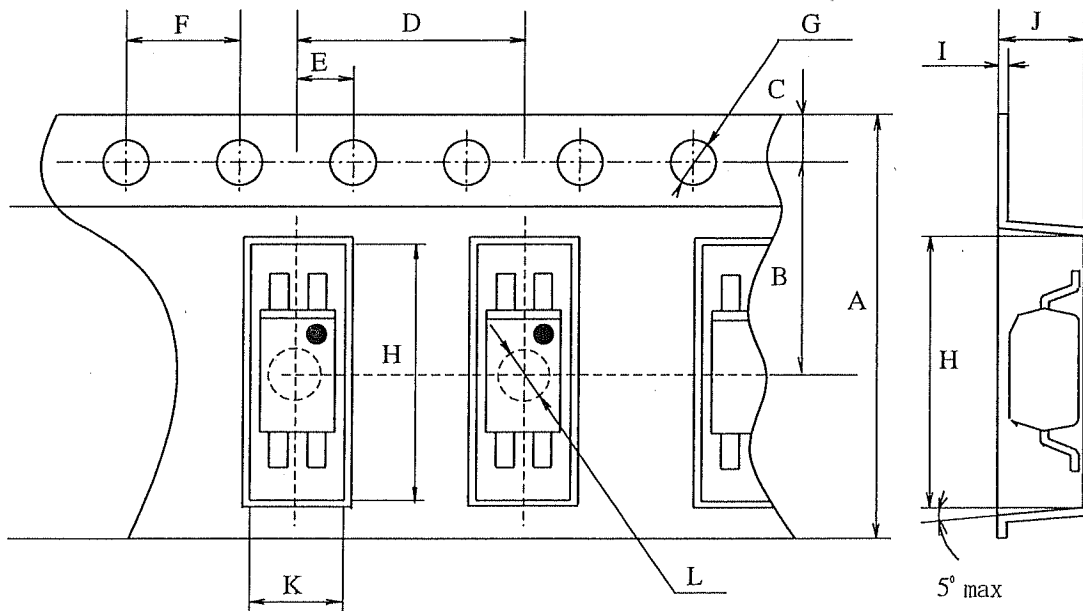
6.2.6 Storage condition

- Taped products shall be stored at the temperature between 5 and 30°C and the humidity lower than 70%RH away from direct sunlight.

6.2.7 Safety protection during shipping

- There shall be no deformation of component or degradation of electrical characteristics due to shipping.

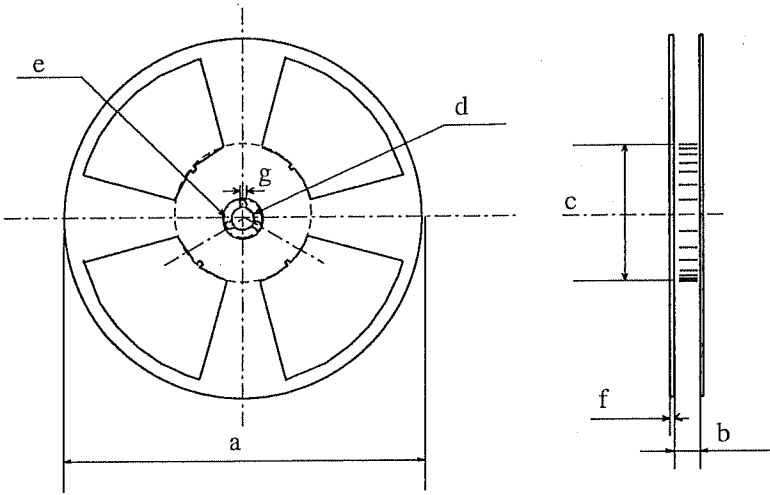
Carrier tape structure and Dimensions



Dimensions list (Unit : mm)

| A | B | C | D | E | F | G | H | I | J | K | L |
|------|------|-------|------|------|------|-------|------|-------|------|------|-------|
| ±0.3 | ±0.1 | ±0.10 | ±0.1 | ±0.1 | ±0.1 | +0.1 | ±0.1 | ±0.05 | ±0.1 | ±0.1 | +0.1 |
| 12.0 | 5.5 | 1.75 | 8.0 | 2.0 | 4.0 | -0.0 | 7.5 | 0.30 | 2.3 | 3.1 | -0.0 |
| | | | | | | φ 1.5 | | | | | φ 1.6 |

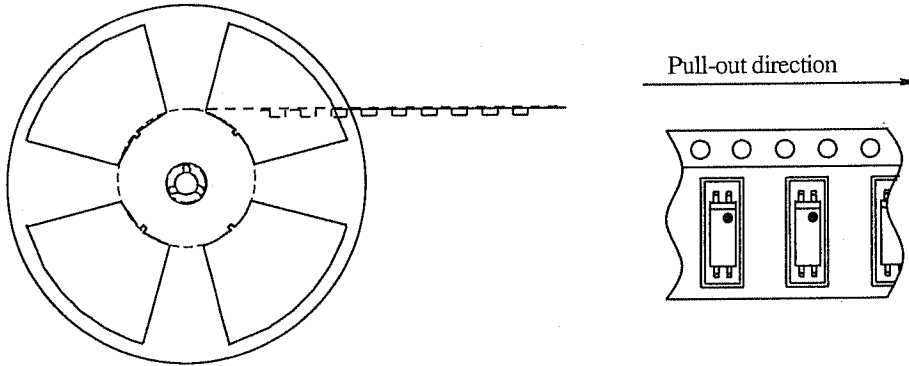
Reel structure and Dimensions



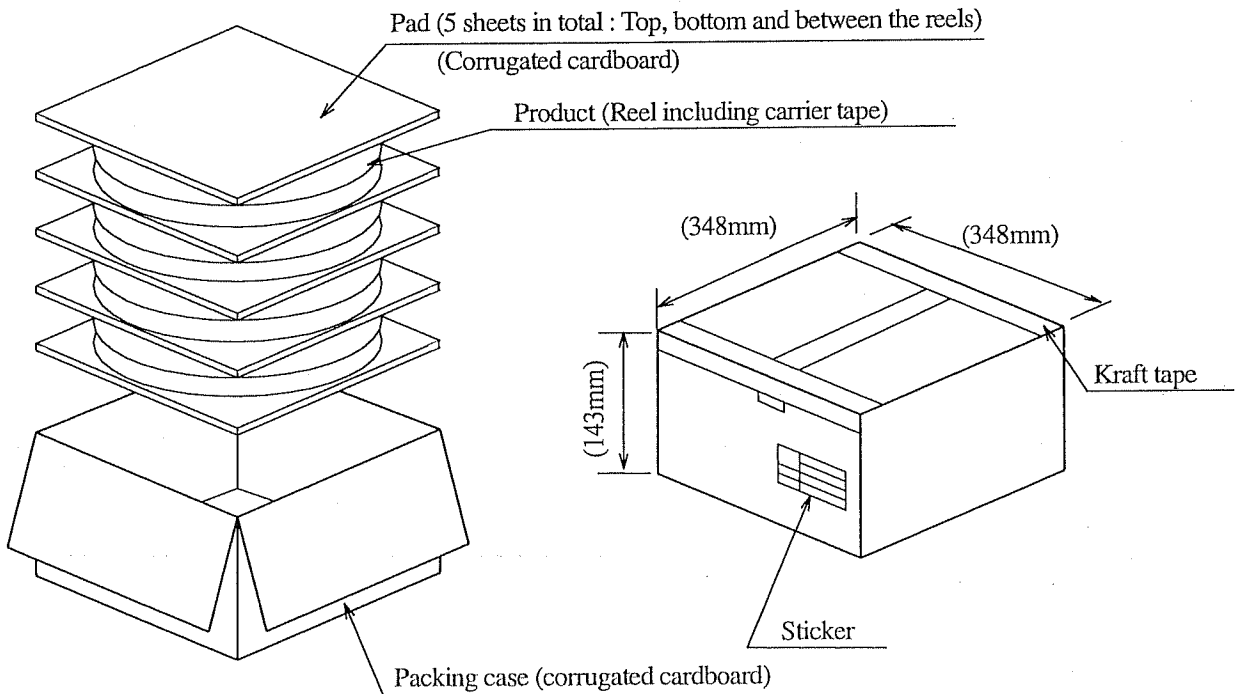
Dimensions list (Unit : mm)

| a | b | c | d |
|------------|----------|-------------|------------|
| 330 | 13.5±1.5 | φ 100.0±1.0 | φ 13.0±0.5 |
| e | f | g | |
| φ 23.0±1.0 | 2.0±0.5 | 2.0±0.5 | |

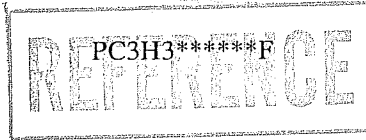
Direction of product insertion



Outer packing appearance



Regular packing mass : Approx. 2.8kg
() : Reference dimensions



Precautions for Photocouplers

1 Cleaning

- (1) Solvent cleaning : Solvent temperature 45°C or less
Immersion for 3 min or less
- (2) Ultrasonic cleaning : The effect to device by ultrasonic cleaning differs by cleaning bath size, ultrasonic power output, cleaning time, PCB size or device mounting condition etc. Please test it in actual using condition and confirm that any defect doesn't occur before starting the ultrasonic cleaning.
- (3) Applicable solvent : Ethyl alcohol, Methyl alcohol, Isopropyl alcohol
When the other solvent is used, there are cases that the packaging resin is eroded.
Please use the other solvent after thorough confirmation is performed in actual using condition.

2. Circuit design

- (1) The LED used in the Photocoupler generally decreases the light emission power by operation.
In case of long operation time, please design the circuit in consideration of the degradation of the light emission power of the LED. (50%/5years)
- (2) There are cases that the deviation of the CTR and the degradation of the relative light emission power of the LED increase when the setting value of I_F is less than 1.0mA. Please design the circuit in consideration of this point.
- (3) When steep voltage noise is applied between the primary side and the secondary side of the photocoupler, current flows or changes in the light emitting diode through a parasitic capacitance between the primary side and the secondary side of the photocoupler, then there is a case that miss operation occurs depending upon the applied noise level.
We should certainly recommend to use a by-pass capacitor between both terminals of the light emitting diode where used in noisy environment.

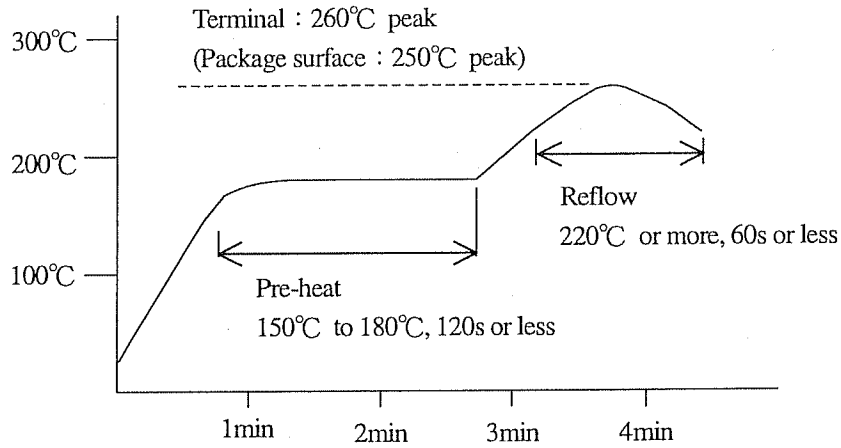
3. Precautions for Soldering

(1) In the case of flow soldering (Whole dipping is possible.)

It is recommended that flow soldering should be at 260°C or less for 10 s or less (Pre-heating : 100 to 150°C, 30 to 80s).
(2 times or less)

(2) If solder reflow :

It is recommended to be done at the temperature and the time within the temperature profile as shown in the figure below. (2 times or less)



(3) In the case of hand soldering

What is done on the following condition is recommended. (2 times or less)

Soldering iron temperature : 400°C or less

Time : 3s or less

(4) Other precautions

Depending on equipment and soldering conditions (temperature, Using solder etc.), the effect to the device PCB is different.

Please confirm that there is no problem on the actual use conditions in advance